

## LOAD CHART FOR MULTIMODULO H13, H15, H17, H20, H25, H27, H30, H35, H40 cm.

TYPE OF LOAD	Overload Kg/m <sup>2</sup>	Slab concrete thickness cm	Lean concrete thickness cm	Scree pressure Kg/cm <sup>2</sup>	Scree thickness cm	Pressure on the ground Kg/cm <sup>2</sup>	Bar diameter mm	Net mesh cm x cm
PRIVATE	2.000	3	0		0	2.50	6	20 x 20
			5		0	0.63		
			10		0	0.28		
			5	0.63	10	0.16		
	5.000	4	0		0	6.25	6	20 x 20
			5		0	1.56		
			10		0	0.69		
			5	1.56	10	0.39		
	INDUSTRIAL	15.000	5	10	2.08	25	0.29	6
25.000		10	15	1.95	25	0.39	6	20 x 20
50.000		15	15	3.91	25	0.77	8	20 x 20

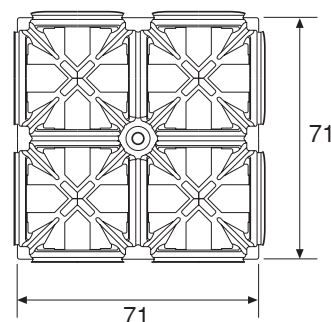
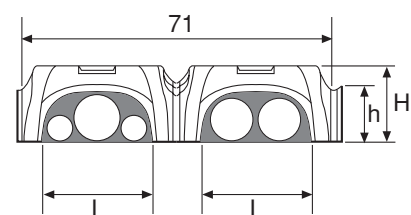
## FULL CONSUPTION OF CLS MULTIMODULO

MULTIMODULO	CONCRETE CONSUPTION
MULTIMODULO H13	0,020 mc x mq
MULTIMODULO H15	0,027 mc x mq
MULTIMODULO H17	0,028 mc x mq
MULTIMODULO H20	0,032 mc x mq
MULTIMODULO H25	0,033 mc x mq
MULTIMODULO H27	0,035 mc x mq
MULTIMODULO H30	0,042 mc x mq
MULTIMODULO H35	0,045 mc x mq
MULTIMODULO H40	0,050 mc x mq

## DIMENSIONS AND PACKINGS

MULTIMODULO	h X L	DIMENSIONS	PACKAGE	NO PIECES	EQUAL TO
MULTIMODULO H13	cm 7,5 x 23,5	cm 71X71 H13	cm 147X147X220	360	m <sup>2</sup> 180
MULTIMODULO H15	cm 9 x 22	cm 71X71 H15	cm 147X147X220	360	m <sup>2</sup> 180
MULTIMODULO H17	cm 11,5 x 24,5	cm 71X71 H17	cm 147X147X220	360	m <sup>2</sup> 180
MULTIMODULO H20	cm 14 x 21	cm 71X71 H20	cm 150X150X230	300	m <sup>2</sup> 150
MULTIMODULO H25	cm 19,5 x 26	cm 71X71 H25	cm 147X147X230	360	m <sup>2</sup> 180
MULTIMODULO H27	cm 21 x 24,5	cm 71X71 H27	cm 147X147X235	360	m <sup>2</sup> 180
MULTIMODULO H30	cm 24 x 23,5	cm 71X71 H30	cm 152X152X240	300	m <sup>2</sup> 150
MULTIMODULO H35	cm 29 x 26	cm 71X71 H35	cm 147X147X240	360	m <sup>2</sup> 180
MULTIMODULO H40	cm 34 x 26	cm 71X71 H40	cm 152X152X245	300	m <sup>2</sup> 150

TECHNICAL DESIGNS SHOWING THE OVERALL DIMENSIONS OF THE MULTIMODULO



# MULTI MODULO

www.geoplast.it

## MULTIMODULO 4 Modulos made one

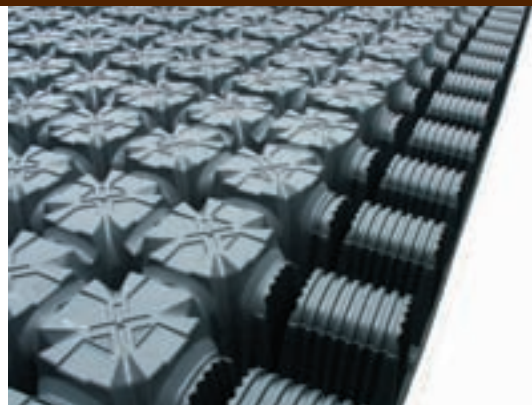
MULTIMODULO comes from Geoplast's experience in the field of disposable modular formworks for ventilated crawl spaces. This is an element which assembles four Modulos in one, providing high standards of resistance during laying and casting phases. You can also walk on. All this can be done thanks to the nine supports of each unit. MULTIMODULO is made only of recycled polypropylene. Its unique and original shape with four caps is ideal to cover large areas in less time than before, as two units can cover 1 sq. meter. Moreover, thanks to the shape of its device, it can be even laid in staggered rows.



studio libre llotto REV. 2 - 04/01/06

## MULTIMODULO ADVANTAGES

- It is suitable for very high running overloads, both concentrated and distributed. It provides natural or forced ventilation all over the surface, eliminating dampness and dispersing any possible infiltration of gas (RADON).
- It is easy to assemble and it reduces the labour force of 80%.
- Thanks to the **GEOBLOCK** (optional) you will reduce the reinforcement time of foundation beams.
- It is ideal for the condensate in refrigerated storage rooms or sheds.
- The four flat relieves of each cap make the laying of the electro-soldered net easier and allow it to be placed in a middle position in the concrete slab.
- Inhibiting natural ventilation, it provides a good thermal isolation.



MULTIMODULO H13



H15



H17



H20



H25



H27



H30



H35



H40

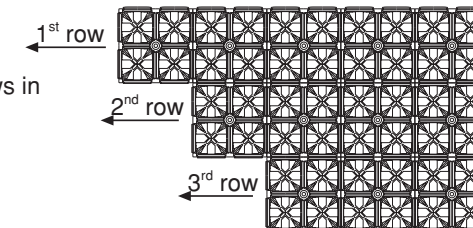
## CONTRACT SPECIFICATIONS

Aired crawl space perfectly isolated from the ground floor, made of concrete with modular disposable plastic formwork type **MULTIMODULO Geoplast**

- At the D.L. discretion, before placing the formwork, holes and / or chases can be made for the passage of pipes of hydro-thermal, sanitary, electric and telephone installations.
- The floor will be ventilated by making 80/120 mm diameter holes on the outside walls, one every 3.50/4.00 metres and possibly provided with connecting PVC pipes and external stainless steel grates equipped with anti-insect plastic nets. For a better ventilation the holes will preferably have to be placed at a higher level on the south, i.e. the warmer side of the building rather than on the north which is the colder side. Should there be some parts of the crawl space inside the foundation beams, these will have to be connected with the outside or the perimeter portions.
- The **MULTIMODULO** will be laid over a lean of concrete slab, previously prepared with a suitable thickness according to the charts here attached. The formworks must be arranged in rows from right to left and from up to down, always keeping the printed arrows upwards.
- Laying the **GEOBLOCK EXTENSION** in polypropylene which allows a full closure of the hole, preventing the concrete from penetrating into the crawl space and facilitating the construction of external kerbs and foundation beams during the laying. This will allow a unique laying of the foundation and also will reduce cuts and wasting of the formwork.
- Laying of weight distribution reinforcement, necessary to stand stress.
- Filling up the formworks and casting the top layer with concrete Resistance Class  $R_{ck}'=250 \text{ Kg./cm}_2$  with 5 cm. thickness (as per the chart). Work executed with or without the help of the pumps.
- Vibration phase.

## LAYING INSTRUCTION

- The hooking by overlaying the units allows a quick and easy laying.
- MULTIMODULO** can be laid over partially prepared floors.
- It can be easily cut with standard tools such as flexible shafts, circular saws in proximity of kerbs or wells.
- You can perfectly walk on **MULTIMODULO**.
- The formworks have to be placed in rows from right to left and from top to bottom keeping the printed arrow upwards.



## MULTIMODULO ADVANTAGES

- The extension **GEOBLOCK** allows the full closing of the formwork during the casting, so as to enable any foundation beams reducing the reinforcement times.
- The extension **GEOBLOCK** is 30 cm. long and allows a complete or a partial pulling out. It avoids any useless cut of the formwork after the flooring, without compromising the structure of the formwork itself.
- The extension **GEOBLOCK** is available in different heights for **MULTIMODULO** H13, H15, H17, H20, H25, H27, H30, H35, H40 cm.



## MULTIMODULO ACCESSORIES



The **extension GEOBLOCK** is a simple idea which has solved a lot of problems in the job site. It has completed and has made the laying of the formworks easier for aired space-crawls. The **extension GEOBLOCK** is in polypropylene and it definitely eliminates any possible infiltration of concrete inside the cavity. You will have a 70% reduction of the formworks. Moreover, thanks to the maximum extension of 30 cm., you won't need to cut the formwork, being suitable for any projects

GEOBLOCK MULTIMODULO	MAXIMUM EXTENSION
GEOBLOCK MULTIMODULO H13	H 30cm
GEOBLOCK MULTIMODULO H15	H 30cm
GEOBLOCK MULTIMODULO H17	H 30cm
GEOBLOCK MULTIMODULO H20	H 30cm
GEOBLOCK MULTIMODULO H25	H 30cm
GEOBLOCK MULTIMODULO H27	H 30cm
GEOBLOCK MULTIMODULO H30	H 30cm
GEOBLOCK MULTIMODULO H35	H 30cm
GEOBLOCK MULTIMODULO H40	H 30cm